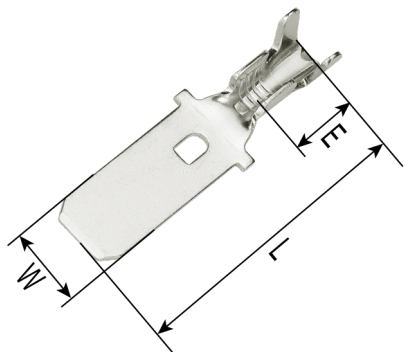


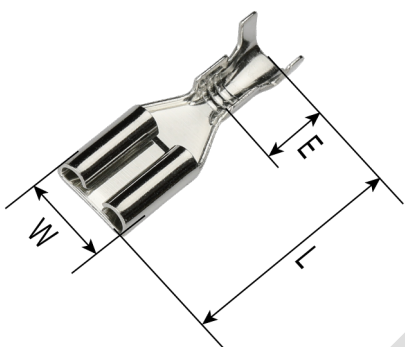
7.8 连接器系列

7.8 Series

A



B



技术参数 Specifications

使用线数(Hole count): 1 2 3

温度范围 (Temperature range): -25°C ~ 85°C

额定电压 (Rated voltage): 300V. AC/DC

额定电流 (Rated current): 25A~30A

端子 Terminal

| 型号 Type | 图号 Pic | 压线范围 Wire Range | | 厚度 Thickness | 材质 Material | 尺寸 Dimension (mm) | | | 对照表 Comparison No. | 备注 Remark |
|------------------|-----------|--------------------|-----------------|-----------------|----------------|----------------------|------|-----|-----------------------|--------------|
| | | AWG# | mm ² | | | L | W | E | | |
| DJ615-7.8B-C | A | 14~12 | 2.0~3.0 | 0.8 | 黄铜 | 31.5 | 7.85 | 9.8 | 插头 | |
| DJ625-7.8*0.8B-C | B | 14~12 | 2.0~3.0 | 0.4 | 磷铜 | 24.5 | 9.0 | 9.0 | 插座 | |

塑料件 Plastic parts

| 线数 Hole count | 插头 Plug for male terminal | 插座 Receptacle for female terminal |
|---------------|------------------------------|--------------------------------------|
| 1 | <p>DJ7013-7.8-11</p> | <p>DJ7013-7.8-21</p> |

| | | |
|-----------------|------------------------------|------------------------------|
| <p>2</p> | <p>DJ7022Y-7.8-11</p> | <p>DJ7022Y-7.8-21</p> |
| <p>3</p> | <p>DJ7033Y-7.8-11</p> | <p>DJ7033Y-7.8-21</p> |